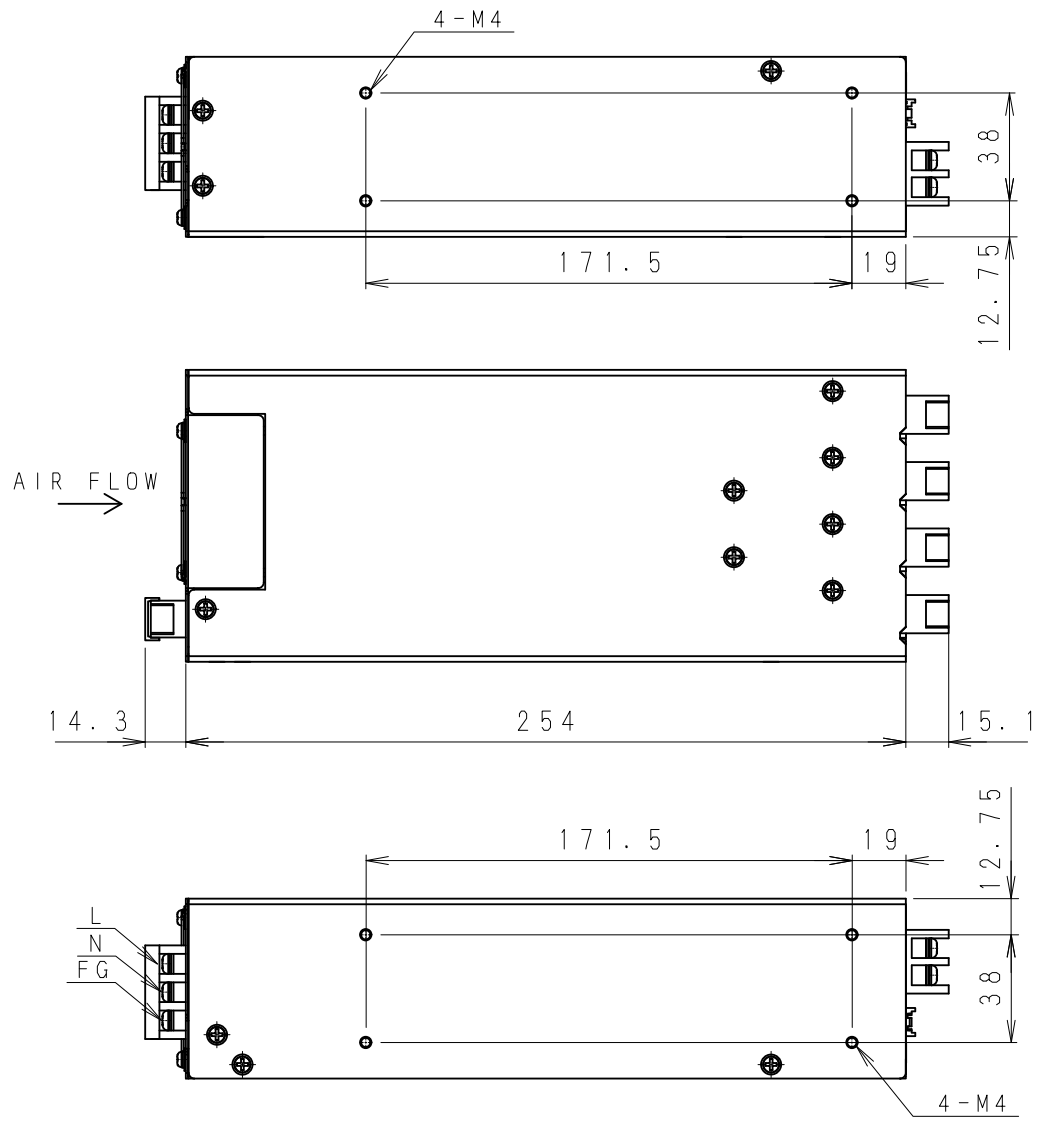
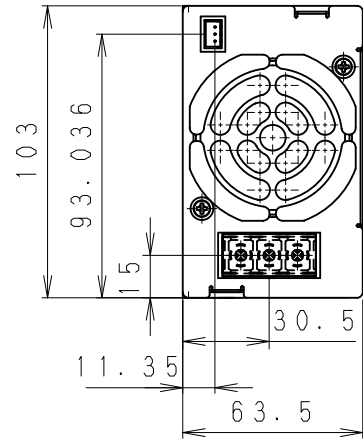
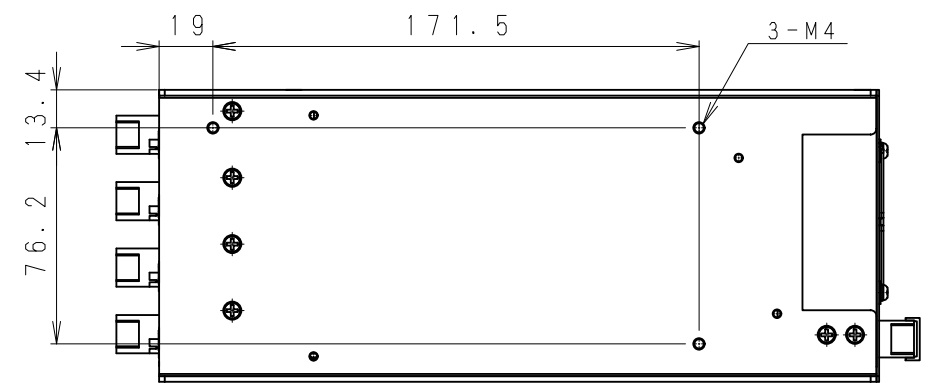
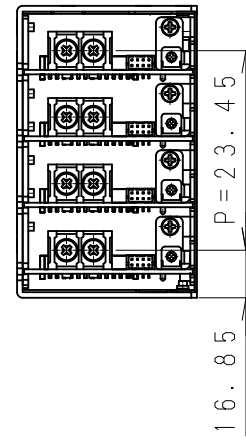


C 3 0 0



tolerance = ±1.0mm



Dimensions in mm