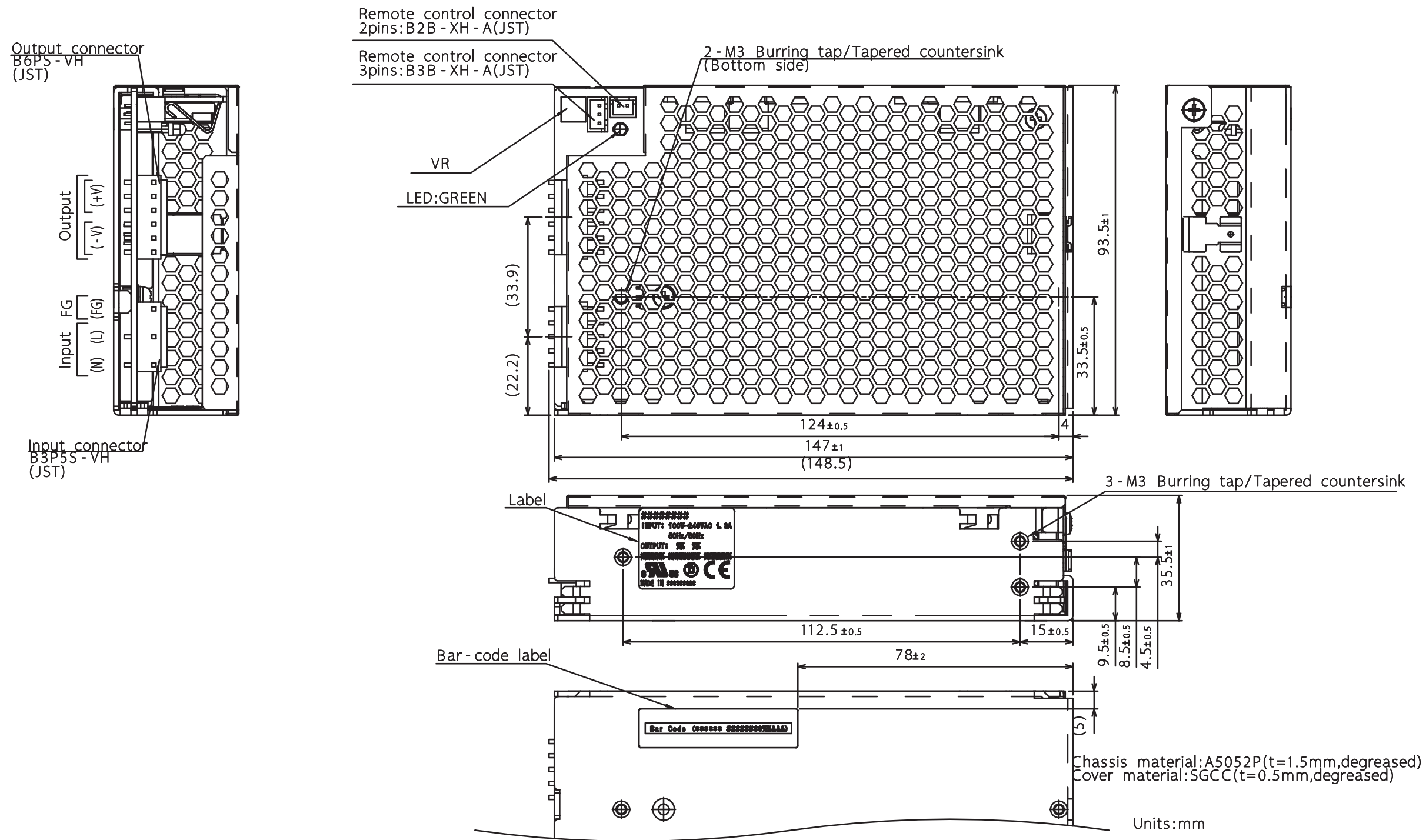


The length of screws into this unit when installing has to be 6mm at the maximum.
 The input/output current for each contacts of the terminal block has to be 20A per one contact at the maximum.
 The torque of chassis installation screws: 0.49Nm
 The torque of terminal block screws: 1.1Nm
 The safety earth has to be connected to two of chassis installation screws(M3).

External dimensions (100W)

SP07062 - G



The insertion length of the screws to use for the power supply installation assumes it up to 6mm.
 Chassis clamping torque.: 0.49N·m
 Perform the safe ground connection of the case with two places(M3) of installation.

External dimensions (100W)

SP07064 - G